



Induction Baby Hob 1.5kW

Item: GIU 1.5 (BH/BA 1500)

Quantity: _____

Project: _____

Approval: _____

Date: _____

Induction Baby Hob 1.5kW

Models:

GIU-1.5 (BH/BA 1500)



How Induction Works:

Although induction seems magical in how it works, there is a scientific explanation.

1. An alternating current in an induction coil produces an alternating magnetic field
2. This magnetic field is instantly transferred and concentrated to the cooking vessel
3. This concentrated magnetic energy in the cooking vessel causes it to heat up and start cooking
4. When the vessel is removed from the heat source, the induction unit automatically shuts off

Standard Features:

- Compact table top design with stainless steel body and high impact ceramic glass top
- Sloped, easy to see front panel with adjustable control for easy operation
- Integral cooling fan keeps electronics cool, discharging from rear with protective air deflectors preventing hot exhaust to be pulled back into unit
- Removable, reusable easy to clean air intake filter
- 6' (1829mm) cord and plug supplied (60 cycle units only)
- "Flat Design", compact high performance electronics allow for low unit heights
- Instant energy transmission to the pan
- Thermostatically controlled overheat sensor shuts the unit off to prevent damage from pans cooking dry
- Induction technology transfers heat to the pan, not to the surrounding air, allowing for cool operation
- Innovated new technology for pan detection; RTCS is an internal control software development matching speed, capability and performance
R – Real Time
T – Temperature
C – Control
S – System
- Electronic output limitation continually monitors the energy transfer to the pan, helping to ensure the most efficient energy transfer possible

Specifications:

Shall be a Garland Induction Unit GIU 1.5 with a total kW rating of 1.5 kW. Ideal voltage and kilowatt output for buffet line application. Built with a robust stainless steel casting with ceran ceramic glass work top. Compact powerful electronic system for years of reliable service. Overheat sensors to help prevent damage to unit if pan is run dry. Easy to operate system with rotary switch. Unit to come with integral cord and plug. This particular model is only available in the Canadian market.

Note: Induction cooking requires magnetic pots and pans to work effectively.



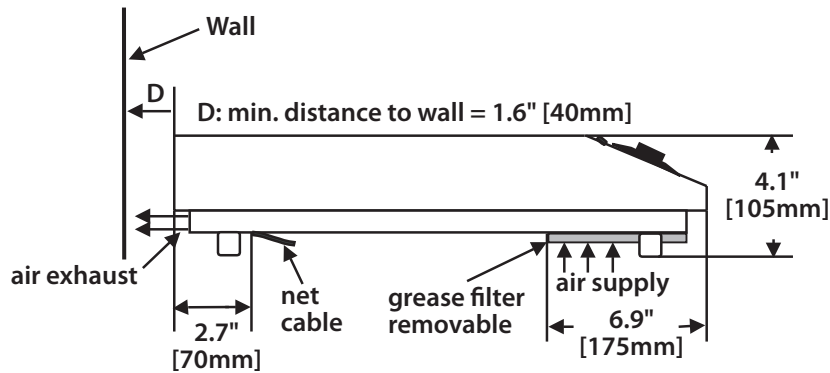
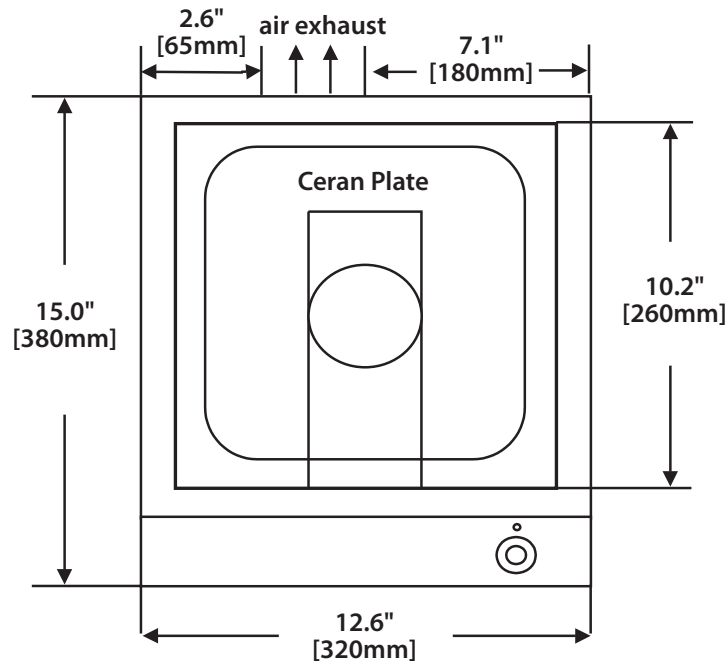
Conforms to UL-197 & NSF-4
Certified to CAN/CSA
C22.2 NO. 109 VDE EN60335-2-38

Garland Commercial
Industries, LLC
185 East South Street
Freeland, PA 18224
Phone: (570) 636-1000
Fax: (570) 636-3903

Garland Commercial Ranges Ltd
1177 Kamato Road,
Mississauga, Ontario
L4W 1X4 CANADA
Phone: 905-624-0260
Fax: 905-624-5669

Enodis UK LTD
Swallowfield Way,
Hayes, Middlesex
UB3 1DQ ENGLAND
Telephone: 081-561-0433
Fax: 081-848-0041

Enodis®



PLUG CONFIGURATIONS:

Model	Electrical Characteristics	Plug
GIU-1.5	120V/60Hz/1Ø	NEMA 5-15P

Electrical Loading:

Model	Watts	Amperage
GIU-1.5	1500	12.5 amp

Garland/U.S. Range products are not approved or authorized for home or residential use, but are intended for commercial applications only. Garland / U.S. Range will not provide service, warranty, maintenance or support of any kind other than in commercial applications.

Form# GIU-1.5 (BH/BA 1500) (05/07)